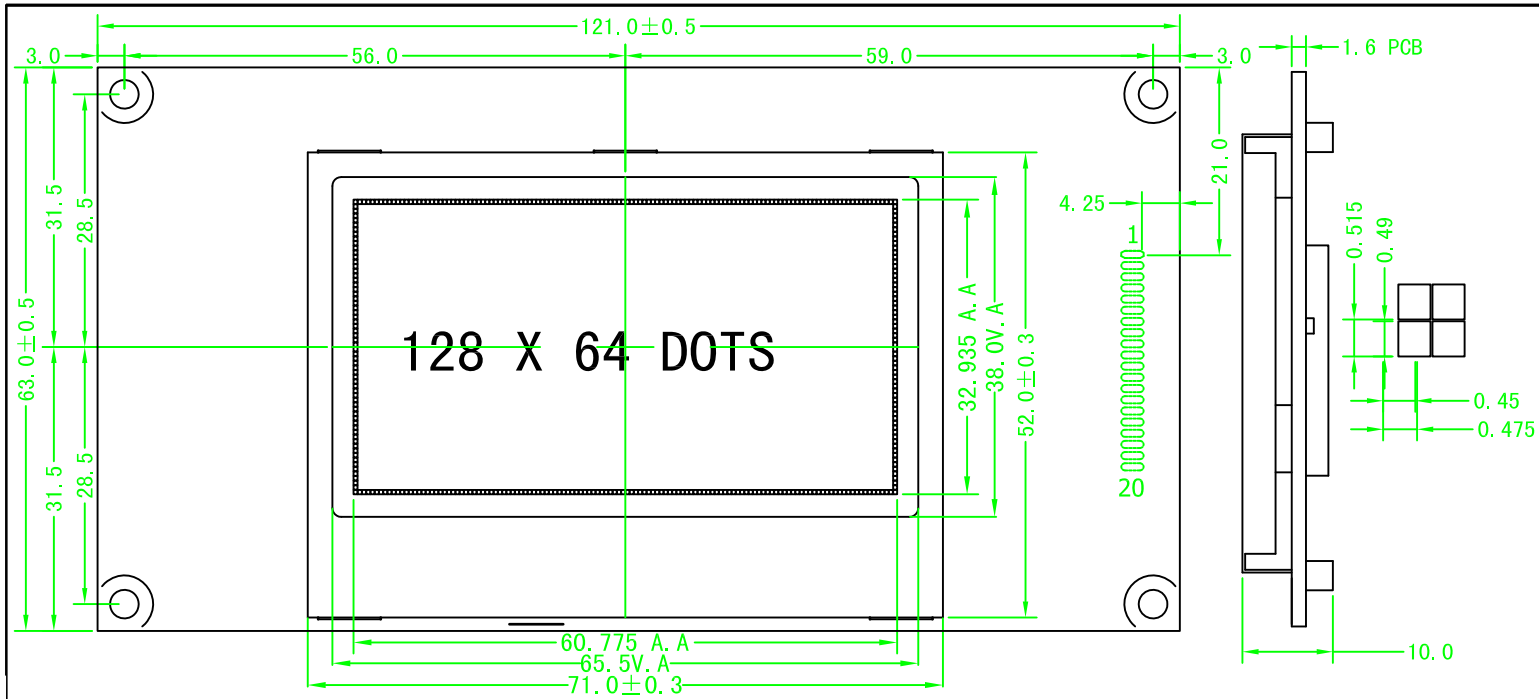
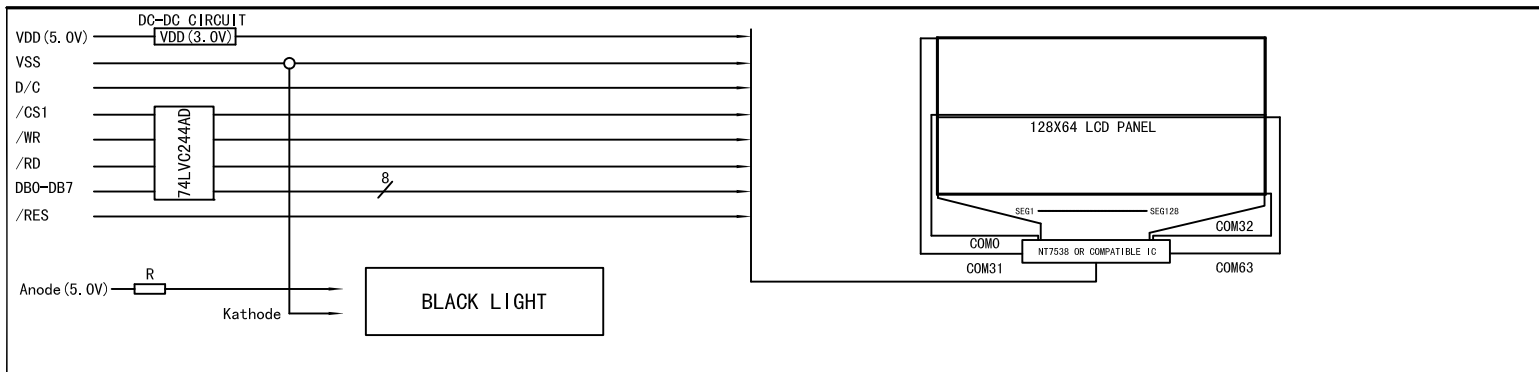


## 1.0 DIMENSIONAL DRAWING



## 2.0 BLOCK DIAGRAM & POWER SUPPLY



## 3.0 MECHANICAL SPECIFICATIONS & FEATURE

Item	Nominal Dimensions (mm)	Feature	
		LCD Type	STN
Module Size (W*H*T)	121.0×63.0×10.0	LCD Colure	Y-G
View Area (W*H)	65.5 × 38.0	View Angle	6 O'clock
Dot × Dot (W*H)	128 × 64	Display Type	Positive Type
Dot Pitch (W*H)	0.49 × 0.45	Rear Polarizer	Transmissive
Dot Size (W*H)	0.515 × 0.475	Operating Temperature	-10° C to +50° C
---	---	Storage Temperature	-20° C to +70° C
---	---	Backlight	LED (Green)

## 4.0 ELECTRICAL CHARACTERISTICS

Item	Symbol	Test Condition	Min.	Typ.	Max.	Unit
Operating Voltage	Vdd	Ta=25° C	---	5.0	---	V
Operating Voltage For LCD	Vlcd	Ta=25° C	---	9.0	---	V
Supply Current	Idd	Ta=25° C, Vdd=3.0V	---	15	---	μA
Supply Current For Backlight	If	Ta=25° C, VAK=3.0V	---	45	---	mA

## 5.0 INTERFACE PIN CONNECTIONS

Pin No.	Symbol	Level	Description
1	VSS	0V	LCM Power Supply Negative Input Terminal
2	VDD	5.0V	LCM Power Supply Positive Input Terminal
3	VSS	0V	LCM Power Supply Negative Input Terminal
4-6	NC		Not Connected
7	/WR	L	LCM Write Signal Input Terminal
8-15	DBO-DB7		LCM Data Input Terminal
16	/RD	L	LCM Read Signal Input Terminal
17	NC		Not Connected
18	/CS1	L	LCM Chip Selection Signal Input Terminal
19	D/C	H/L	LCM Data/command Register Selection Signal Input Terminal
20	A	5.0V	LED Backlight Power Supply Positive Input Terminal